

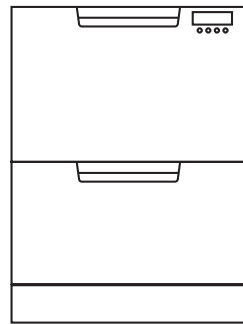
DISHDRAWER™ DISHWASHER

NZ AU US CA GB IE

Keep this document handy for easy reference.

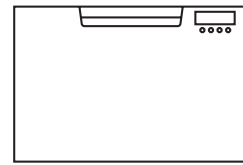
- For detailed information on the features of your dishwasher, see your 'User guide'.
- Before using your dishwasher, make sure you read the full 'User guide', with special attention to the 'Safety and warnings' section.
- For contact information or if you require service, assistance or replacement parts, see the end of this document or your 'Service & warranty' booklet.

YOUR MODEL



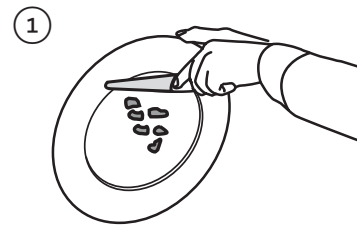
Double models
 DD60DCW9
 DD60DCX9
 DD60DCHW9
 DD60DCHB9
 DD60DCHX9
 DD24DCTW9
 DD24DCTB9
 DD24DCTXP
 DD24DCTX9

Note: each drawer can run independently of the other drawer.

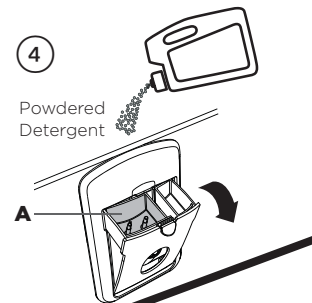


Single models
 DD60SCTW9
 DD60SCTX9
 DD60SCW9
 DD60SCX9
 DD60SCTHX9
 DD24SCTW9
 DD24SCTB9
 DD24SCTX9
 DD24SCTHX9

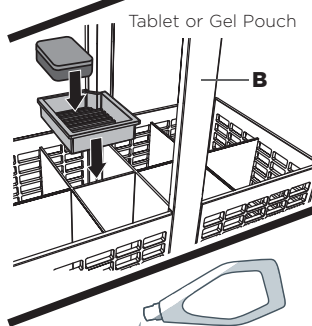
OPERATING INSTRUCTIONS - STARTING A WASH



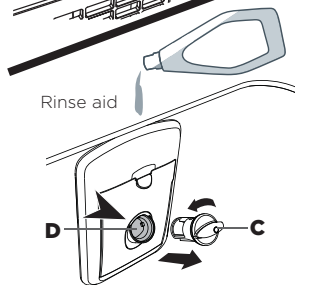
Discard scraps
 Scrape large food particles off (e.g. bones, fruit stones) and remove any foreign objects (e.g. toothpicks, strings, paper).



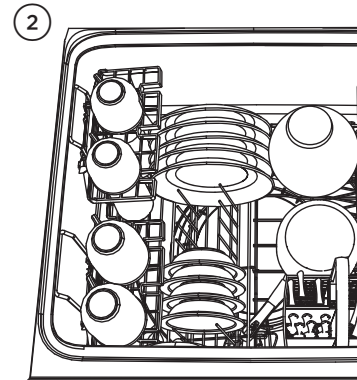
Add detergent
 Fill the detergent dispenser (A) with powdered detergent and close the dispenser door.
IMPORTANT!
 Do not place liquid detergent or tablets in the detergent dispenser.



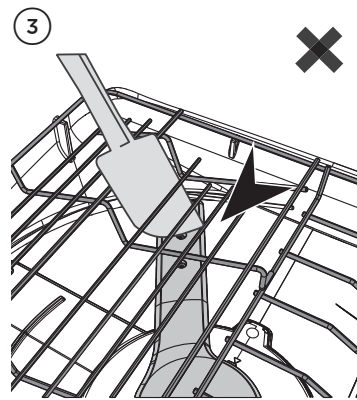
If using a tablet or gel pouch, place it in the cutlery basket (B) or at the edge of the base rack (see user guide for details)



Check rinse aid
 If the indicator on its plug (C) glows bright red, refill the rinse aid dispenser (D) with liquid rinse aid. Make sure you then refit the rinse aid plug back into its original position, by rotating the plug back into an upright position.



Load dishes carefully
 To help with wash performance, arrange dishes so they are evenly spaced and not nesting.
IMPORTANT!
 Accommodates plates up to a max height of 280mm (11") for standard tubs or 310mm (12 1/4") for tall tubs.

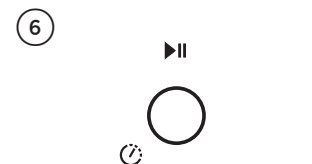


Check spray arm(s) are mounted correctly and can rotate fully around
 Check the spray arm is mounted correctly by physically rotating it around with your hand.
 Before a wash, ensure there are no items blocking the spray arm(s) from rotating.

Rotating Spray arm

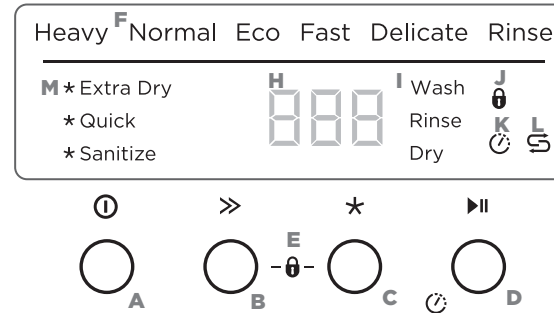


Select wash
 Power the dishwasher on ① then select wash program >>.

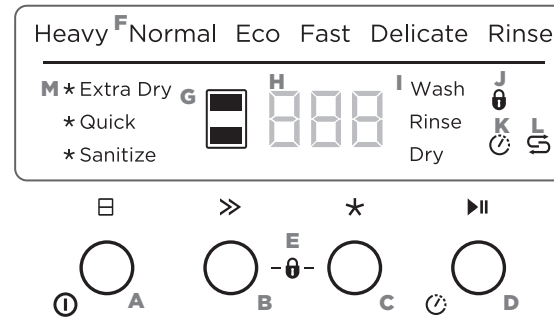


Start wash or set Delay start
 To start wash: Close the drawer and press ►►.
 To set delay start: Press and hold ►► to enter delay start, then press and hold ►► again to increase the delay start time.

Single models



Double models



Controls Description

A Off/On

Opening the drawer will automatically turn the dishwasher on.
Single models:
 Press ① to turn the dishdrawer on or off.

Double models:

- Press ① to turn the dishdrawer on.
- Press and hold ① to turn the dishdrawer off.

Drawer selector (Double models only)

Press ① to scroll between drawers.

B Wash selector

Press >> to scroll through wash program options.

C Wash modifiers selector

Press * to scroll through the wash modifier options.
 Note: Not all modifiers are available for all wash programs.

D Start / Delay Start

Press ►► to start the wash.
 To pause:
 Press ►► again. The wash stage indicator Wash and (Double models) will flash.
 • Wait for the 3 short and one long tone before opening the drawer. Forcing it open mid cycle may cause damage or injury.
 • If the drawer is not restarted within 7 minutes it will tone intermittently until it is restarted.

To Delay start

- Press and hold ►► until *lh* appears on the display, then release. You are now in Delay start mode.
- Press ►► until the display shows the number of hours you want to delay the start of a wash (1 to 12 hours).
 • Note: If you scroll past 12 hours the dishwasher will exit Delay start mode. To re-enter delay start follow step 1 above.
- The wash will start once the delay time is over, provided the drawer is closed.

DD24 models only

If the drawer is opened after delay start has been set (for example if you need to load more dishes), delay start will be paused after the drawer is closed.

To restart delay start:

- Close the drawer.
- Single models: ① will flash.
- Double models: ① and ① will flash.
- Press ►► to resume.

Cancel wash / Cancel Delay start

Single models:

Press ① to cancel a wash that has already started or to cancel the Delay start setting.

Double models:

Press and hold ① to cancel a wash that has already started or to cancel the delay start setting.

- If there is any water in the drawer, it will automatically drain before the dishwasher turns off.

E Keylock

Keylock disables all the buttons - helpful when cleaning the dishwasher.
 To activate: press and hold >> and * together until you hear one tone. The keylock indicator ① will come on.
To cancel: press and hold >> and * together until you hear another tone and the keylock indicator stops flashing and goes out

Childlock

Childlock disables all the buttons and locks the drawer closed, preventing unauthorized use by children.
To activate: press and hold >> and * together until you hear a second tone. The keylock indicator ① will come on.
To cancel: press and hold >> and * together until you hear another tone and the keylock indicator stops flashing and goes out.

F Wash program indicators

These show which program is selected.

G Drawer indicator (Double models only)

White: drawer is running and selected.
 Dim: drawer is running but not selected.
 Flashing: drawer is paused

H Display

- Time remaining (minutes)
- Fault code numbers (see 'If there is a fault' in User guide).

I Wash stage indicators

(See 'During and after the wash cycle').

J Keylock/Childlock indicator

If lit: keylock or childlock is activated.

K Delayed start indicator

If lit: delayed start is set.

L Salt indicator

(Water softener models only)
 If lit: salt reservoir is empty.

M Wash modifiers indicators

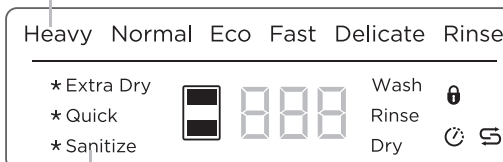
If lit: wash modifier is selected.

WASH PROGRAMS

Double models interface shown

Wash program indicators

These show which program is selected.



Wash program modifiers (optional)

These show which wash modifier is selected (see 'Setting wash modifiers' in your User guide).

PROGRAM	DESCRIPTION
Heavy	Heavily soiled pots, pans and dishes.
Normal (default setting)	Dishes that are quite heavily soiled or food soils that have been left to dry overnight.
Normal Eco	Normally soiled dishes for optimum water and energy usage. The US/Canada Energy Guide is based on this cycle.
Fast	Lightly soiled dishes.
Delicate	Lightly soiled and heat sensitive crockery.
Rinse	Prevents odours and soils from drying on dishes.

